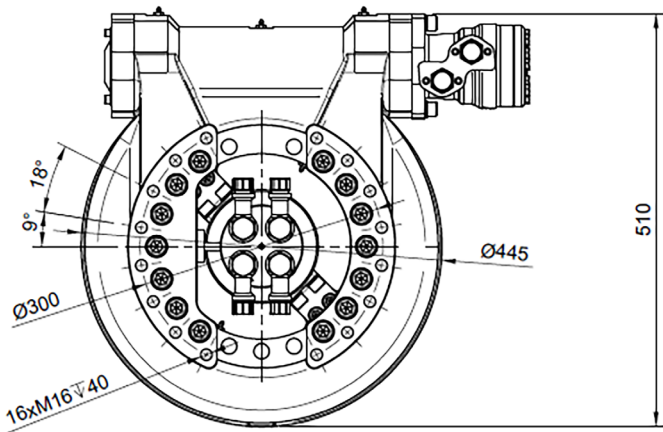
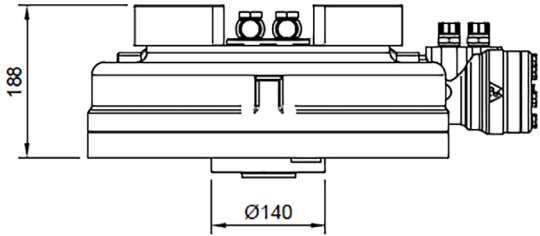
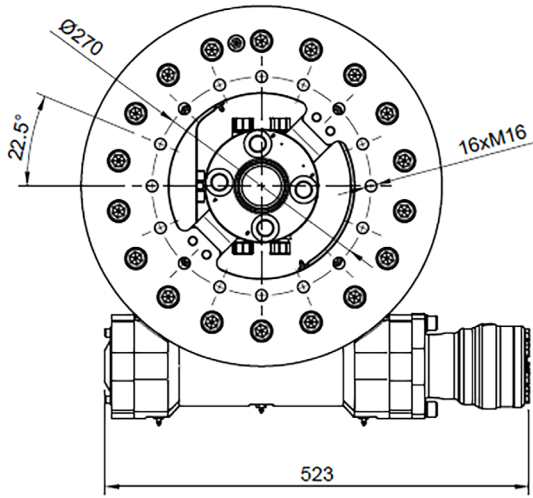


## Worm Drive 12 GS

SPECIAL NON-SELF LOCKING WORM DRIVE ROTATORS FOR INCREASED ROTATION SPEED FOR GRAPPLE SAW



### KEY FEATURES

- Low built
- High torque
- Exact positioning
- High axial and radial load capacity
- For grapple saw

### MODEL SPECIFICATIONS

MODEL SPECIFICATIONS	Kg	ton	ton	Bar	Bar	l/min	l/min	Nm	ROTATION SPEED	G 1/2"	G 1/2"	ton
WDR 12 GS	117	15	5	250	120	100	25	3200	4,7 rpm	G 1/2"	G 1/2"	7-14