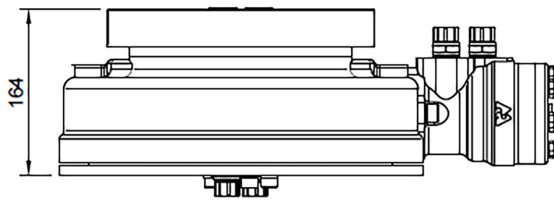
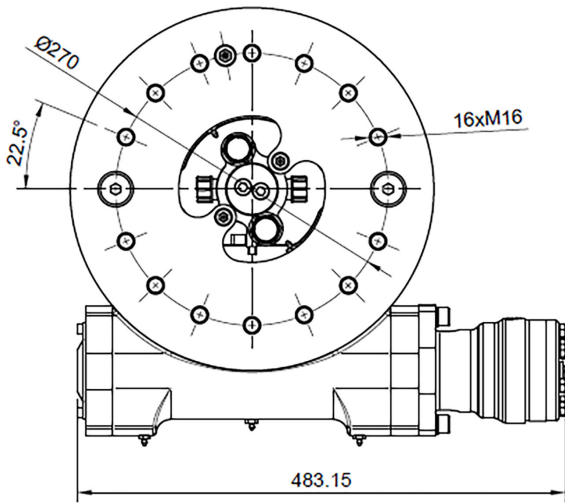


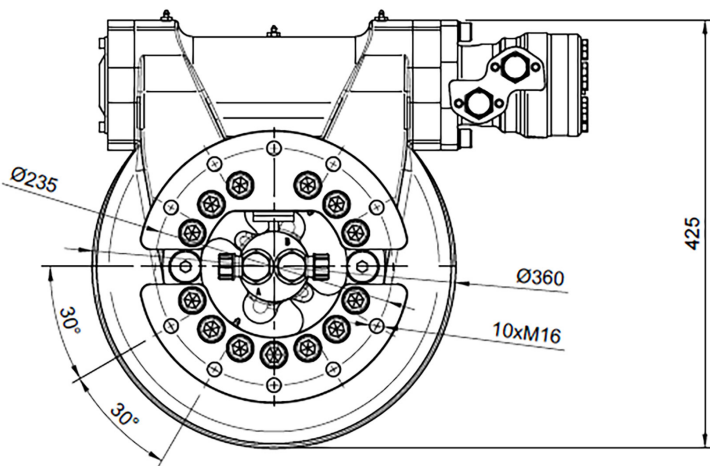
## Worm Drive 9 1/2"

SPECIAL NON-SELF LOCKING WORM DRIVE ROTATORS FOR INCREASED ROTATION SPEED



### KEY FEATURES

- Low built
- High torque
- Exact positioning
- High axial and radial load capacity



### MODEL SPECIFICATIONS

MODEL SPECIFICATIONS	Kg	ton	ton	Bar	Bar	l/min	l/min	Nm	ROTATION SPEED	G 1/2"	G 1/2"	ton
WDR 9 1/2"	75	9	3,5	250	120	60	20	2400	4,6 rpm	G 1/2"	G 1/2"	5-8

