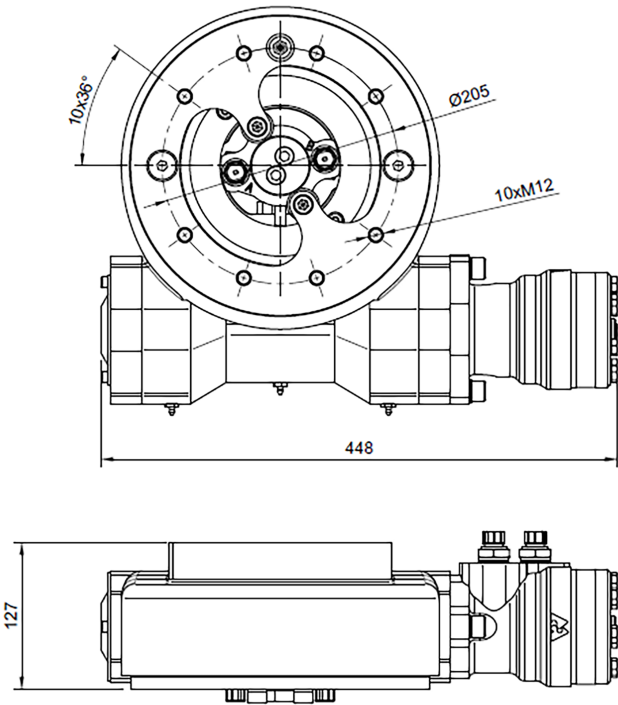


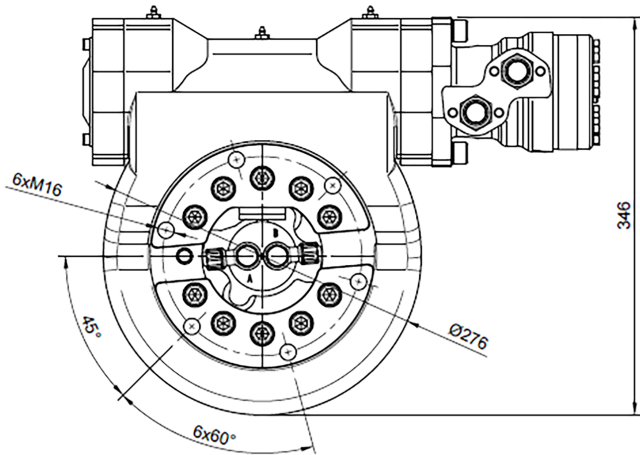
## Worm Drive 7

SPECIAL NON-SELF LOCKING WORM DRIVE ROTATORS FOR INCREASED ROTATION SPEED



### KEY FEATURES

- Low built
- High torque
- Exact positioning
- High axial and radial load capacity



### MODEL SPECIFICATIONS

MODEL SPECIFICATIONS	Kg	ton	ton	Bar	Bar	l/min	l/min	Nm	ROTATION SPEED	G 1/4"	G 3/8"	ton
WDR 7	42	3,5	1,8	250	120	30	15	1800	5,6 rpm	G 1/4"	G 3/8"	2-6

