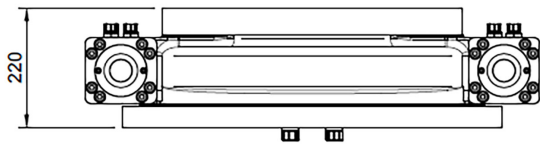
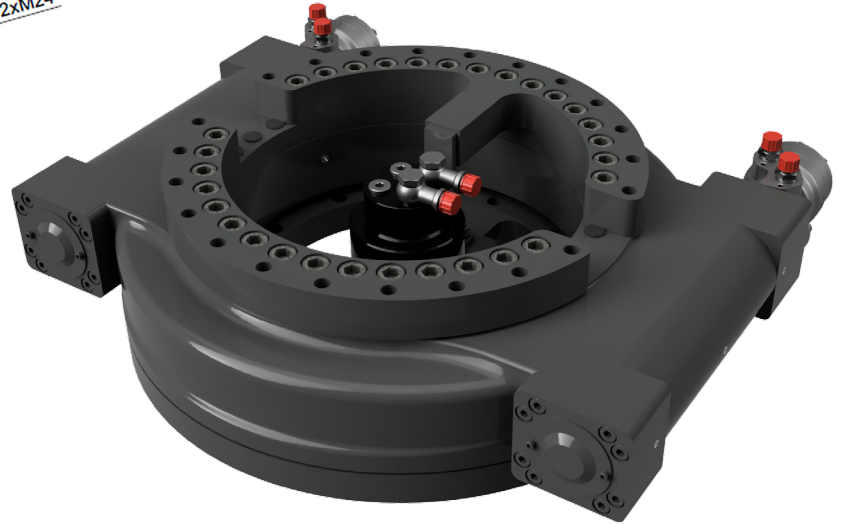
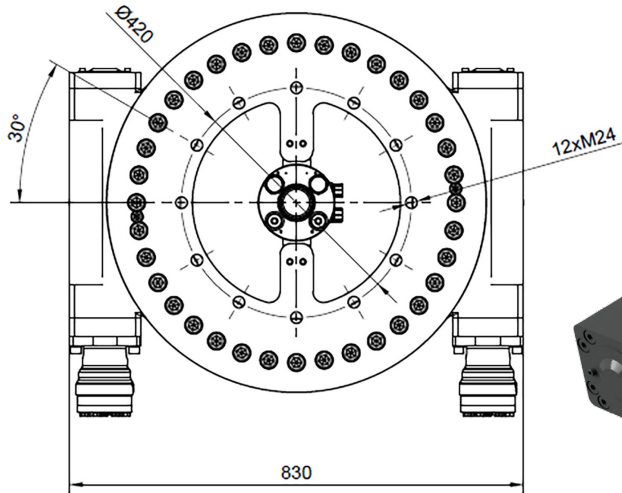


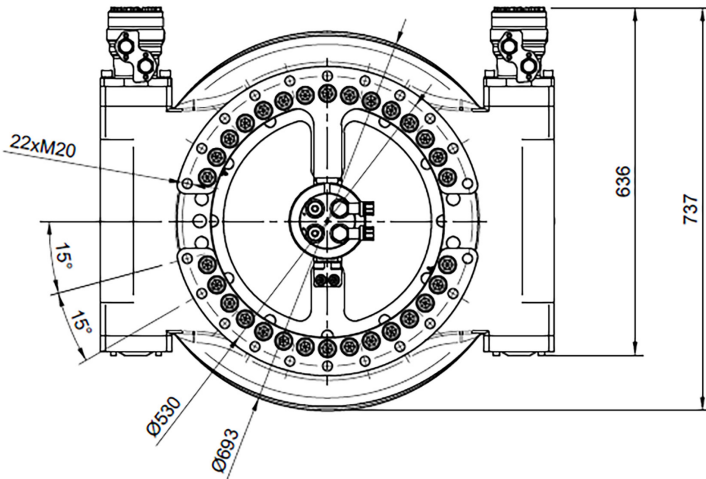
Worm Drive 21-2

SPECIAL NON-SELF LOCKING WORM DRIVE ROTATORS FOR INCREASED ROTATION SPEED



KEY FEATURES

- Low built
- High torque
- Exact positioning
- High axial and radial load capacity



MODEL SPECIFICATIONS

MODEL SPECIFICATIONS	Kg	ton	ton	Bar	Bar	l/min	l/min	Nm	ROTATION SPEED	G 1/2"	G 1/2"	ton
WDR 21-2	320	25	12	250	120	100	2x25	7100	4,3 rpm	G 1/2"	G 1/2"	18-30

