

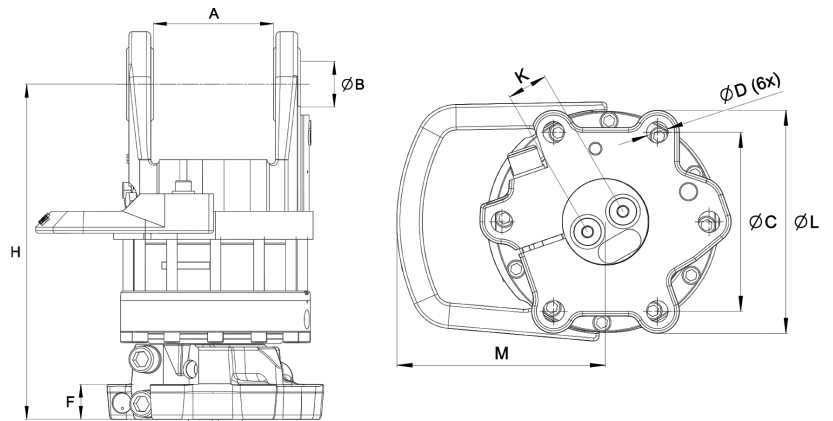
Indexator / GV 17 US-203



KEY FEATURES

- Endless rotation
- High torque
- Optimized positioning performance
- Hose protection included

A	80,5
B	Ø35
C	Ø173
D	Ø17
F	30
H	317
K	38,5
L	Ø209
M	404



MODEL SPECIFICATIONS



GV 17 US-203	63,8	17	250	35	360°	3300	1/2"
--------------	------	----	-----	----	------	------	------

INTERMERCATO®

High performance lift and load attachments for Forestry, Transport, Construction and Recycling.

