

INTERMERCATO[®]
HIGH PERFORMANCE LIFT & LOAD ATTACHMENTS

Tree shears T-Cut for rotator

One of our most popular and well established attachments

The Intermercato T-Cut R tree shear is suitable for tough jobs through its oversized construction.

The cutting angle of the knife has been carefully tested to perfection.



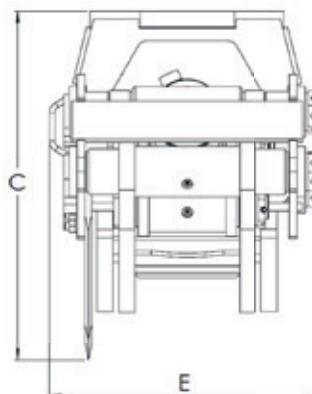
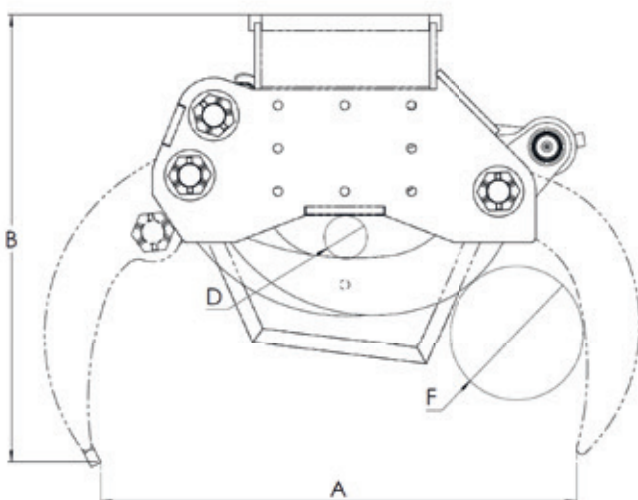
HARDOX[®]
IN MY BODY

KEY FEATURES

- Completely made of Hardox[®]
- For rigid mounted rotators - usually worm drive
- 4-claw, cuts from both angles
- Cylinder with double piston rod seals for high pressures
- Double guide bars
- BWG-bushings with special alloy for extra durability

DEFINITELY A BEAST.

www.intermercato.com



	T-Cut 18 R	T-Cut 25 R	T-Cut 30 R
A	660	892	1052
B	652	828	1001
C	493	628	763
D	40	80	80
E	410	505	557
F	160	250	300

MODEL SPECIFICATION



Cutting diam.*



MODEL SPECIFICATION	Kg	Cutting diam.*	Bar	l/min	kN	ton	tm	tm	E	E	
T-Cut 18 R	160	180	250	30	43	-	-	-	-	2-5	-
T-Cut 25 R	280	250	250	60	58	-	-	-	-	6-14	-
T-Cut 30 R	465	300	250	70	88	-	-	-	-	12-20	-

* Cuts up to

Recommended machine weight and crane size



Intermercato is not only grapples - Explore our complete range of products on www.intermercato.com, or contact our proficient sales team.

Accessorize your grab

TC Collector

The TC Collector makes your tree shear an even more efficient tool. Bolt-on.



Rotator and excavator attachment

Accessorize your tree shear with a rigid mount rotator, worm drive or excavator attachment.

We can also deliver all our grabs and clamshell buckets complete with hose kit!



INTERMERCATO®

High performance lift and load attachments for Forestry, Transport, Construction and Recycling.

