

LOTS of steel!

Intermercato's heavy duty TG DG is an incredibly robust demolition grab, designed with many laths and lots of steel. This, in combination with a carefully tested geometry and oversized cylinder makes it almost indestructable.

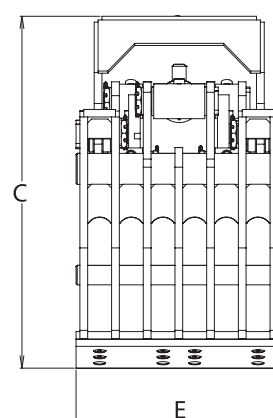
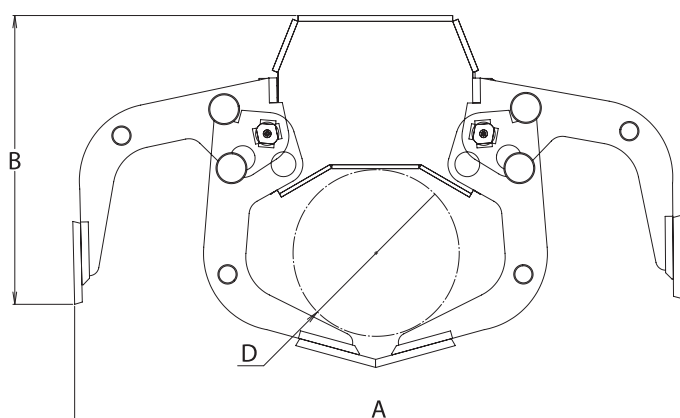


KEY FEATURES

- Completely made of Hardox[®]
- Torsionally rigid thanks to many steel laths
- Reversible cutting edges
- Check valve as standard
- BWG bushings with special alloy for extra durability
- Oversized cylinder with double piston rod seals for high pressure

**DEFINITELY
A BEAST.**

www.intermercato.com



	TG 15 DG	TG 18 DG	TG 20 DG	TG 20 DGW	TG 25 DGL	TG 25 DG	TG 30 DG
A	1154	1430	1556	1556	1936	1936	2347
B	535	632	737	737	893	893	1057
C	661	745	897	897	1095	1095	1297
D	315	370	430	430	530	530	650
E	390	532	532	700	800	800	1000

MODEL SPECS.



TG 15 DG	190	0,14	250	40	17,5	-	-	-	-	4-8	-
TG 18 DG	340	0,18	250	50	18,5	-	-	-	-	8-12	-
TG 20 DG	495	0,20	320	60	33	-	-	-	-	10-16	-
TG 20 DGW	575	0,20	320	60	33	-	-	-	-	10-16	-
TG 25 DGL	810	0,35	320	90	57	-	-	-	-	16-24	-
TG 25 DG	900	0,35	320	90	57	-	-	-	-	18-26	-
TG 30 DG	1465	0,50	320	90	69	-	-	-	-	22-30	-

Recommended machine weight and crane size



Intermercato is not only grapples - Explore our complete range of products on www.intermercato.com, or contact our proficient sales team.

Accessorize your grab

Excavator attachment and rotator

Accessorize your grab with an excavator attachment! We have suitable attachments for all types of excavators. We can also deliver all our grabs and clamshell buckets complete with hose kit!

Accumulator and check valve

Can also be equipped with accumulator from Parker.



INTERMERCATO®

High performance lift and load attachments for Forestry, Transport, Construction and Recycling.

