

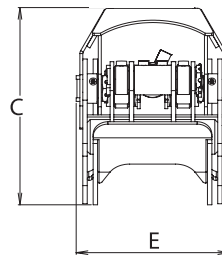
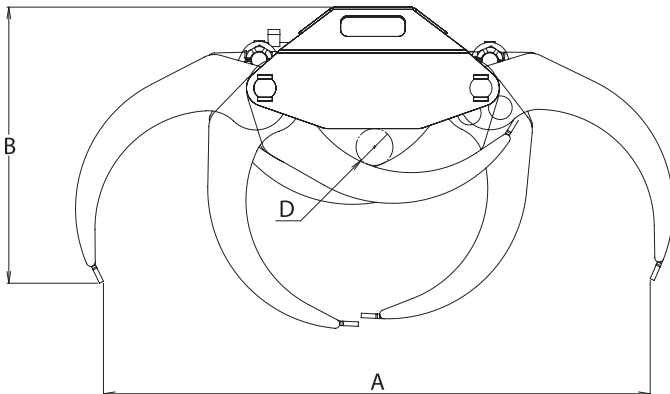
The grab with optimal roll in- roll out properties
The robust design allows heavy lifts and the double guide bars gives increased stability.



KEY FEATURES

- TG 25 have claws made of Hardox®
- Optimal roll in- roll out properties
- Cylinder with double piston rod seals for high pressure

www.intermercato.com



	TG 16-50	TG 22	TG 22-50	TG 25
A	933	1287	1287	1450
B	590	594	624	746
C	400	509	539	510
D	60	87	87	40
E	287	311	311	371

MODEL SPECS.



MODEL	Kg	m ²	Bar	l/min	kN	ton	tm	tm	ton	ton	
TG 16-50	50	0,16	200	35	9	0,8	2	3	1-3	-	-
TG 22	98	0,22	200	40	13,5	1,5	3	8	2-6	-	-
TG 22-50	98	0,22	200	40	13,5	1,5	3	8	2-6	-	-
TG 25	138	0,25	200	50	11	2	3	10	3-6	-	-

Recommended machine weight and crane size

